



NEAT LINE

NEAT 70 | 80 | 90

ENERGY EFFICIENT FIREPLACE

AIR KIT



**INSTALLATION
& USER MANUAL**



Table of Contents

1. General.....	1
2. Packaging.....	1
3. Installation.....	2
4. Operating Instructions.....	3
4.1. About NEAT Warm Air Unit.....	3
4.2. Power failure.....	4
4.3. Use of the electronic control panel.....	4
4.4. Warm air flap adjustment.....	5
5. Cleaning & Maintaining.....	5
5.1. Cleaning.....	5
5.2. External maintenance.....	5
6. Dimensions.....	6
7. Technical Specifications.....	7
8. Warranty.....	7
Notes.....	7

1. GENERAL

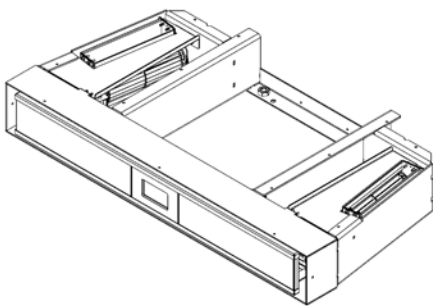
This manual is delivered to provide you additional information about Warm Air Set of ARTE® NEAT fireplace series. In any case the instructions of ARTE® NEAT manual must be followed to.

ARTE® product that you have chosen is tested according EN13229 standard.

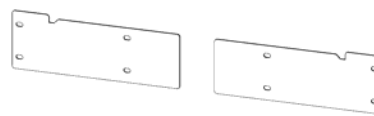
2. PACKAGING

ARTE® is devoted in protecting the environment, so we use as much recyclable materials as possible and the least amount of packaging materials without compromising the secure transfer of our products.

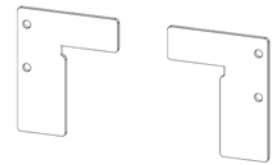
NEAT Warm Air Set packaging includes the follows:



Pic. 2.1 Warm air unit



Pic. 2.2 Intake air covers



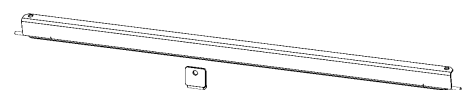
Pic. 2.3 Side covers



Pic. 2.4 Temperature sensor



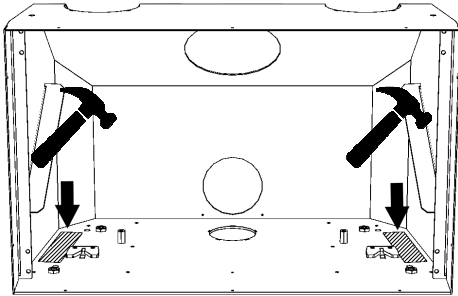
Pic. 2.5 Metal slat



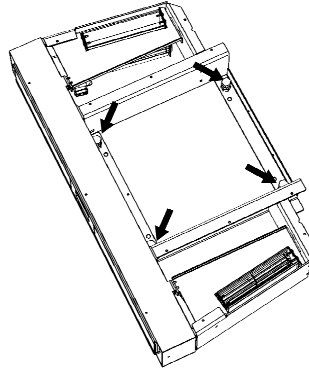
Pic. 2.6 Metal flap with support plate

3. INSTALLATION

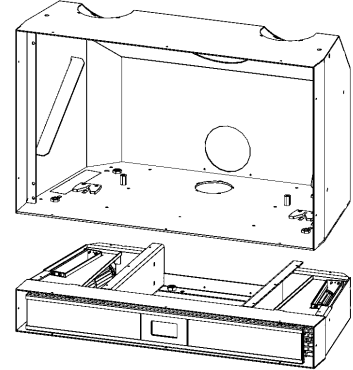
1. Follow unpacking procedure (Chapter 4.1) of ARTE® NEAT fireplace manual.
2. Follow separation procedure as show at ARTE® NEAT fireplace manual Chapter 7.2 steps 1 to 7.
3. Remove the covers from the bottom of the metallic shell by using a hammer (Pic. 3.1)
4. Place the warm air unit (Pic. 2.1) on the installation surface. Align to the installation surface by screwing or unscrewing the 4 hexagon bolts on the bottom (Pic. 3.2). If the installation surface is brittle, under the bolts place the four metal plates that includes in the packaging.
5. Place the metallic shell on the warm air unit and screw only the two of the ten screws of the picture 3.5. Check the shell's alignment to the installation surface and to the flue position also. (Pic. 3.3)



Pic. 3.1



Pic. 3.2



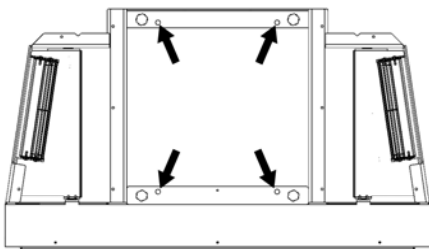
Pic. 3.3

6. Remove the metallic shell carefully and mount the warm air unit to the holes as shown in the picture 3.4
7. Connect the device cable with power supply.

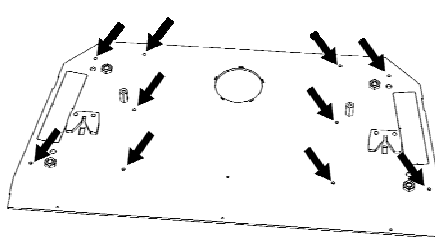


The electrical installation must NECESSARILY be made by qualified personnel

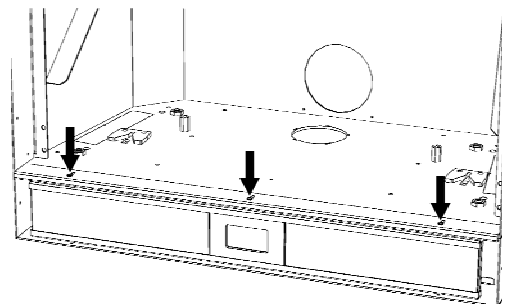
8. Fasten the metallic shell with the warm air unit by screwing 10 bolts as shown in picture 3.5.
9. Place the metal slat (Pic. 2.5) by screwing 3 self-tapping screws. (Pic. 3.6)



Pic. 3.4



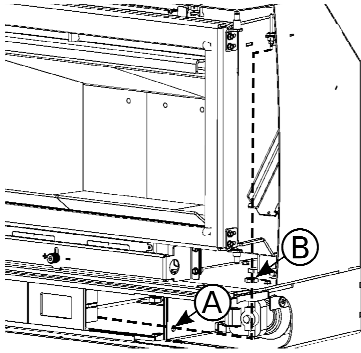
Pic. 3.5



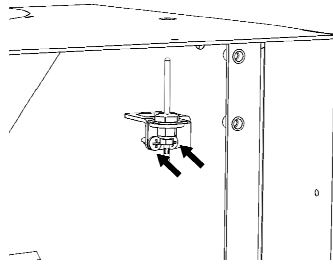
Pic. 3.6

10. Pass the sensor cable through the holes A and B. (Pic. 3.7)
11. Place the temperature sensor (Pic. 2.4) on the metallic shell by screwing 2 self-tapping screws. (Pic. 3.8)

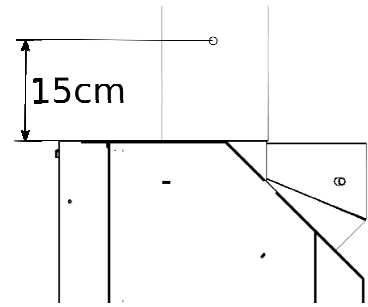
NOTE: In case there are air ducts on the installation, you can place the sensor on them by drilling a 10mm hole, 15cm from the top of the fireplace (Pic. 3.9)



Pic. 3.7

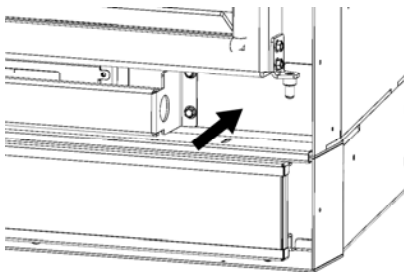


Pic. 3.8

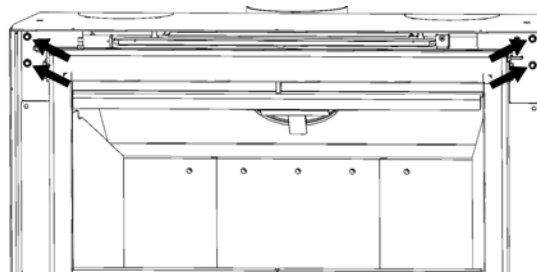


Pic. 3.9

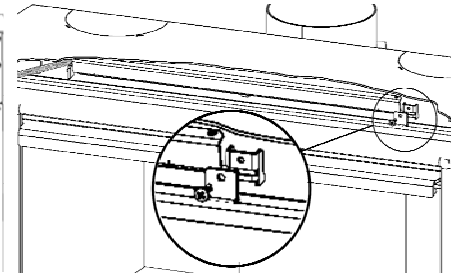
12. Follow steps 8 to 16 of ARTE® NEAT fireplace manual chapter 7.2, but ignore steps 9 & 10 as the fireplace is already aligned and mounted.
-Furthermore on step 12 in place of grilles use Intake air covers (Pic. 2.2). (Pic. 3.10)
13. Place the Side covers (Pic. 2.3) by using 4 hexagon screws. (Pic. 3.11)
14. For the flap installation insert the left side on the upper left side of the fireplace and by using the support plate mount it on the right side with a screw. (Pic. 3.12)



Pic. 3.10



Pic. 3.11



Pic. 3.12

Note: Flap installation is advised when air ducts are installed, in order to control the air flow in the adjacent rooms.

15. Place the spring and the door by following steps 17 & 18 of ARTE® NEAT fireplace manual chapter 7.2.

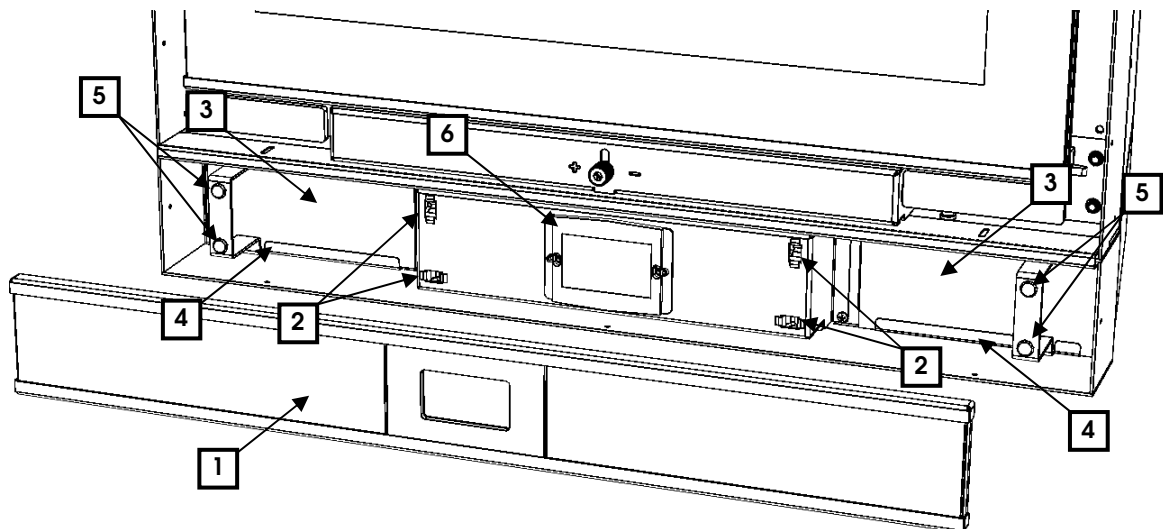
4. OPERATING INSTRUCTIONS

4.1. About NEAT Warm Air Unit



Do not insert objects in the warm air unit while is connected to power supply.

There is risk of electric shock



1	Detachable front glass	4	Intake air filters casing
2	Front glass clips	5	Rubber seals
3	Intake air filters	6	Automatic motor control unit

Table 4.1

4.2. Power failure

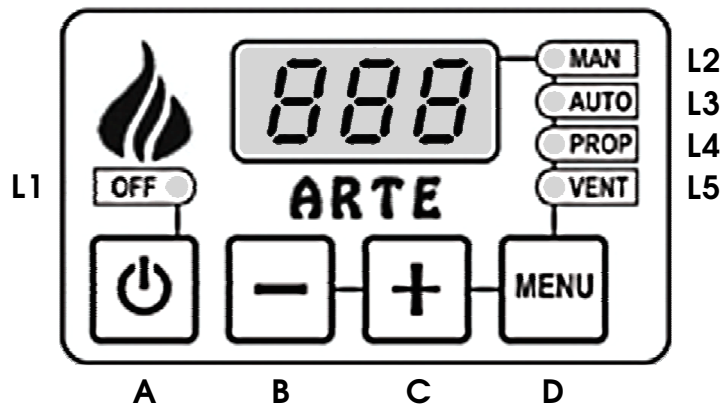
During a power failure you can light and operate an ARTE® NEAT fireplace normally. The only difference would be that because the motors are out of order, heat is not diffused so quickly. That is why ARTE® suggests using an uninterruptible power supply unit (UPS) with minimum power of 1000VA (pure sine wave UPS) which will ensure the smooth operation of the fireplace for about 1 hour.

4.3. Use of the electronic control panel

ARTE® NEAT warm air unit incorporate two ventilators with total flow rate 288 m³/h, which are used for heating the air and redistribute it in the room, which drastically increases the heating capability of the fireplace.

The motors are controlled by an electronic board which settings you can change using the control panel that is located beneath the control panel door.

To turn the panel ON or OFF, press key A. The state ON/OFF is indicated through LED light L1.



> Operation MODES

- 1. MANUAL mode** (indication MAN – LED light L2)
The ventilator operates at the selected speed regardless of the temperature of the sensor.
- 2. AUTOMATIC mode** (indication MAN – LED light L3)
The ventilator operates at the selected speed when the sensor temperature is higher than that in which the thermostat is set (45°C).
- 3. PROGRESSIVE mode** (indication PROP – LED light L4)
The ventilator automatically increases its speed according to the temperature of the sensor (starting from 45°C). In case you neglect to turn on the thermostat before lighting the fireplace (it remains in OFF) and the sensor temperature exceeds 100°C, the ventilators are automatically activated (ON) and start to operate in MANUAL mode, for 10 seconds and then it automatically switches to PROGRESSIVE mode until the temperature drops to 90°C, in which case it switches back to MANUAL mode. This process is repeated continuously until you choose another mode.
- 4. ALARM mode**
If the temperature of the sensor exceeds 130°C, then a sound alarm is activated. You can turn that off for 5 minutes by pressing any key. After five minutes, and if the problem is not yet restored, the alarm is activated again

> Main MENU

- 1. Mode selection**
Press the MENU key (D) to view the selected mode, which is indicated on the screen and the corresponding LED light. By pressing the same key again, you can choose one of the three operating modes appearing consecutively on the screen and are indicated by the corresponding LED light. The setting is automatically stored in memory after 4 seconds. LED light L5 indicates the state of the ventilators.
- 2. Operation speed selection**
By pressing keys B or C you can view or change the current ventilation speed.
 - ① P0 = OFF (only for MANUAL mode)

① P1 = Lowest speed setting

① P10 = Highest speed setting

This function is not available in PROGRESSIVE mode.

In AUTOMATIC mode you can choose speed settings P1 ~ P10

> FAILURE or ALARM signals

The control panel can indicate possible sensor failures. In these cases it may display the following on the LCD screen:

① LO: indicates low temperature (temperature lower than 0°C): The sensor is open or disconnected

① HI: indicates high temperature (temperature higher than 180°C): The sensor has a short circuit

4.4. Warm air flap adjustment

ARTE® NEAT fireplaces enable the control of the air supply quantity on the front. This is achieved by using an adjustable flap (optional equipment) which is regulated by using the handle. (Pic.4.4.1 & 4.4.2).

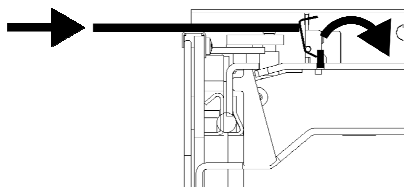


Fig. 4.4.1 Opening the flap

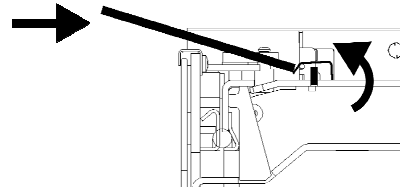


Fig. 4.4.2 Closing the flap

The use of adjustable flaps enables the user to be able to change the amount of air both locally and on the air ducts that provide hot air on adjacent rooms.

5. CLEANING & MAINTAINING

5.1. Cleaning

Due to air filters equipment, the device removes dust from the room. In order to remain air pure, you have to clean the filters regularly.

To clean the filters:

1. Remove the detachable front glass.
2. Remove the filters from the casing
3. Clean the filters by using a vacuum cleaner. Use can also use water to clean the filters if it is nesesity.
4. Place back the filters and the detachable front glass.



Clean only when the fireplace surfaces are cold.

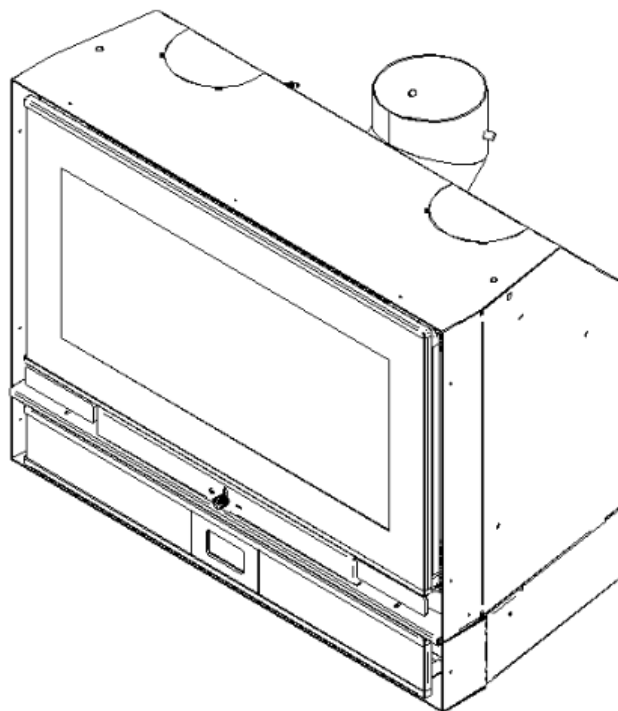
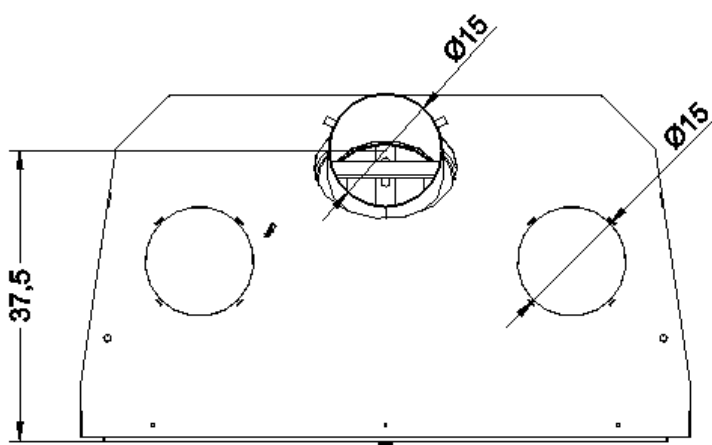
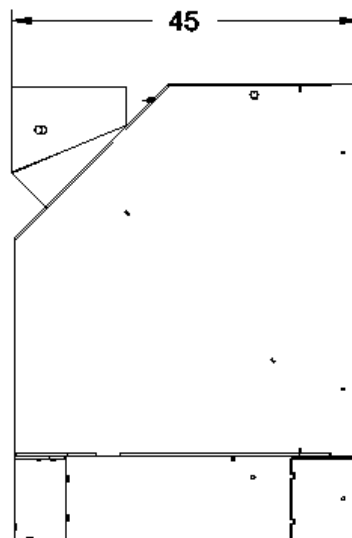
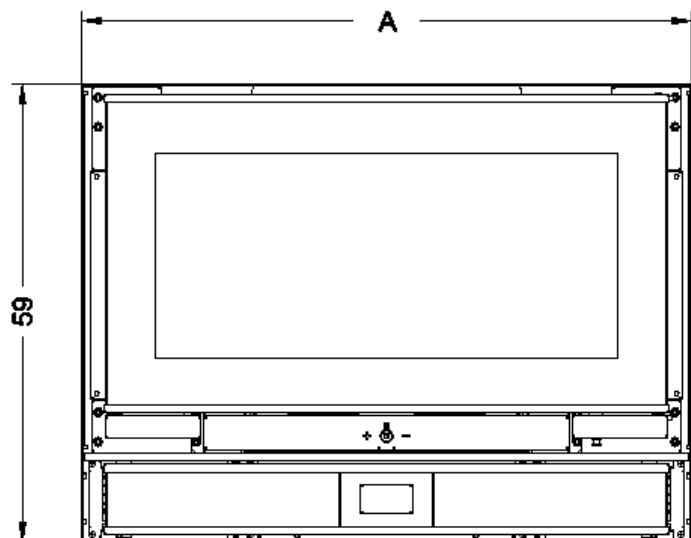
5.2. External maintenance

The fireplace surface is painted with heat-resistant paint. It is best kept clean by vacuuming with a soft brush attachment or by wiping with a lint-free cloth. Over a period of time, the painted surface may become slightly grey. A canister of touch-up ARTE® spray paint should be available from your fireplace supplier. This can be applied - in accordance with the instructions - in just a few minutes



The qualified dealer in your area is available to answer any of your further questions

6. DIMENSIONS



DIMENSION	MODEL		
	NEAT 70	NEAT 80	NEAT 90
A (cm)	68.5	78.5	88.5

Table 6.1

7. TECHNICAL SPECIFICATIONS

TECHNICAL SPECIFICATIONS	UNITS	NEAT 70	NEAT 80	NEAT 90
*Total heat output	Kcal/h	5160	6020	7310
	kW	6	7	8.5
Recommended hourly consumption of firewood	Kg/h	1.8	2	2.4
Efficiency	%	81	81	81
Exhausts temperature	°C	235	235	247
CO emissions (by providing O ₂ at 13%)	%	0.090	0.090	0.090
Yield range (minimum - maximum)	kW	3.4 - 8.5	3.4 - 9.2	3.4 - 10.5
Fuel	-	Ξύλο, Μπρικήτα		
Device dimensions (W x D x H)	cm	68.5/45/59	78.5/45/59	88.5/45/59
Combustion chamber dimensions (W x D x H)	cm	50/34/23	55/34/23	60/34/23
Flue draft	Pa	12(±2)		
Heated area	m ²	25 - 90	25 - 120	25 - 140
Weight	kg	121	129	136
External air inlet. The section must be increased by 20% for each additional meter after 1 m	cm	Ø 10		
Smoke outlet diameter	cm	Ø 15		
**Minimum flue height	m	4		
Minimum heating area	m ²	25		
* The fireplace operates with intermittent combustion technology. In this case intermittent combustion means the normal use of the fireplace, e.g. new firewood is added as soon as the previous are burned, forming a sufficient amount of cinder.				
** The internal section of the flue must be increased by 10% per 500m altitude above sea level.				

Table 7.1

8. WARRANTY

For Air Set of ARTE® NEAT fireplace, we grant a two year warranty for metallic parts and one year warranty for the ventilators and the rest electric parts.

Warranty terms and conditions are defined in ARTE® NEAT manual, chapter 14.



In order for the warranty to be applicable, please fill out the form on this manual's last page

S/N:



Εργοστάσιο - Έδρα
Προέκταση Μακρυγιάννη
Εύοσμος | Θεσσαλονίκη

Αλληλογραφία
Τ.Θ. 40 124, Τ.Κ. 564 10
Σταυρούπολη | Θεσσαλονίκη

τ. 2310 684 148
φ. 2310 684 149
e. info@arte-fireplace.com

Factory - Head Offices
Makrygianni Str.
Evosmos | Thessaloniki | Greece

Mail
P.O. Box 40 124, P.C. 564 10
Stavroupoli | Thessaloniki | Greece

τ. 2310 684 148
φ. 2310 684 149
e. info@arte-fireplace.com

www.arte-fireplace.com